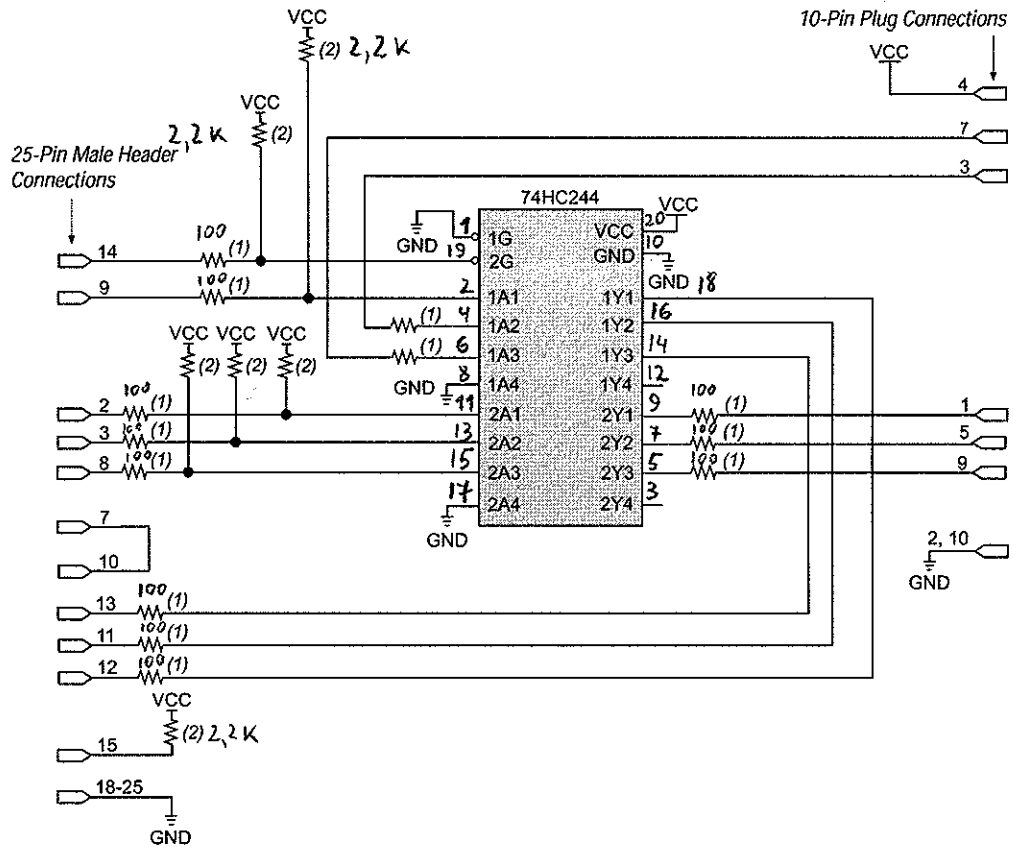


Figure 2 shows a schematic of the ByteBlasterMV download cable.

Figure 2. ByteBlasterMV Schematic



- Notes:
- (1) All series resistors are 100 Ω .
 - (2) All pull-up resistors are 2.2 k Ω .

The 10-pin female plug connects to a 10-pin male header on the circuit board containing the target device(s). Figure 3 shows the dimensions of the female plug.